

QUOIZEL
6 CORPORATE PARKWAY
GOOSE CREEK, SC. 29445
www. quoizel. com

Quoizel, Inc.
6 Corporate Parkway
Goose Creek, SC
29445

Customer Service
Phone 631.273.2700
Fax 631.231.7102
www. quoizel. com

Assembly Instruction Sheet #IS-ADS1715DC For Style ADS1715DC

Tools Required: Flathead screwdriver, Phillips screwdriver, pliers, wire cutters, wire strippers, electrical tape, safety glasses.

Bulb Recommended: (3) Medium Base 60W Maximum

Estimated Assembly Time: 30-45 minutes

Preparation: Identify and inspect all parts before beginning installation. Check package content list and diagrams below to be sure all parts are present. If any parts are missing or damaged, do not attempt to assemble, install, or operate the fixture. Contact customer service for replacement parts.



Warnings and Cautions

Turn off electricity at circuit breaker or main fuse box before installation. Consult a licensed electrician if in doubt.

These instructions are provided for your safety. It is very important you read them completely before installing the fixture. We strongly recommend that a licensed, professional electrician perform the installation.

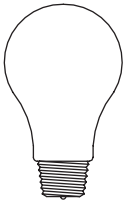
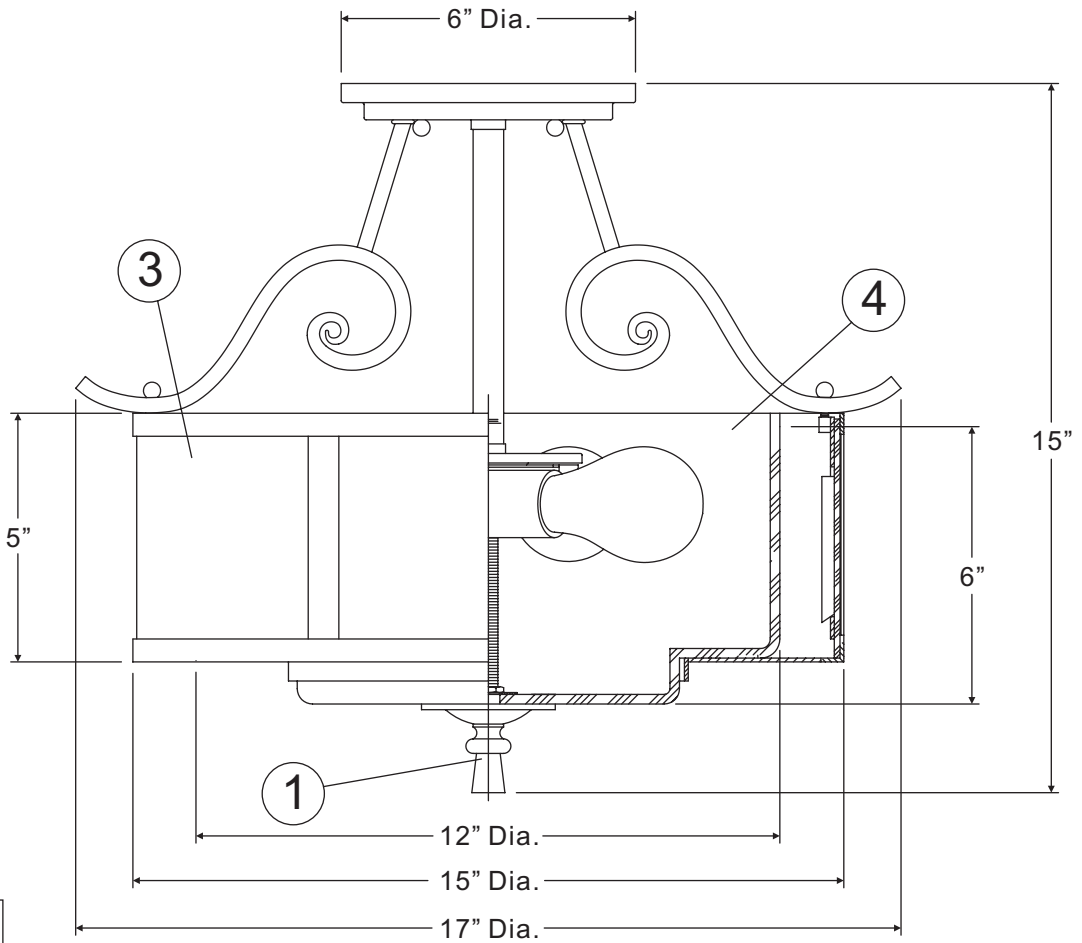
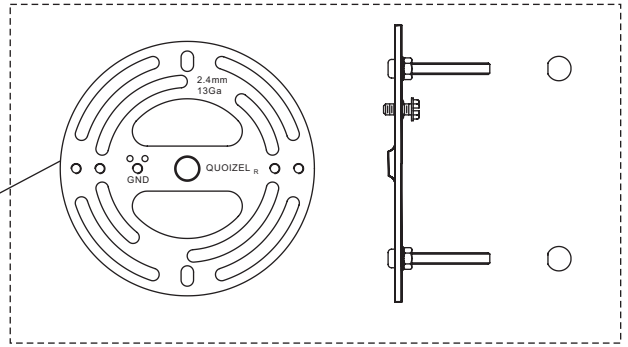
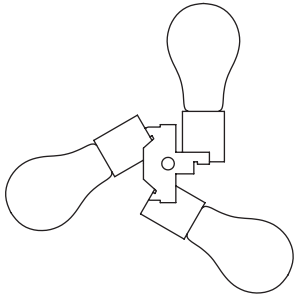
Disconnect fixture from power source before replacing bulbs. Make sure bulbs are given sufficient time to cool before removal. Do not subject glass parts to any shock while in operation or shattering may result.

Thank you for purchasing a Quoizel product.

Need assistance with parts or assembly? Call Quoizel customer service at 1-631-273-2700
or visit us on-line at www. quoizel. com

ADS1715DC

FINISH: DARK CHERRY



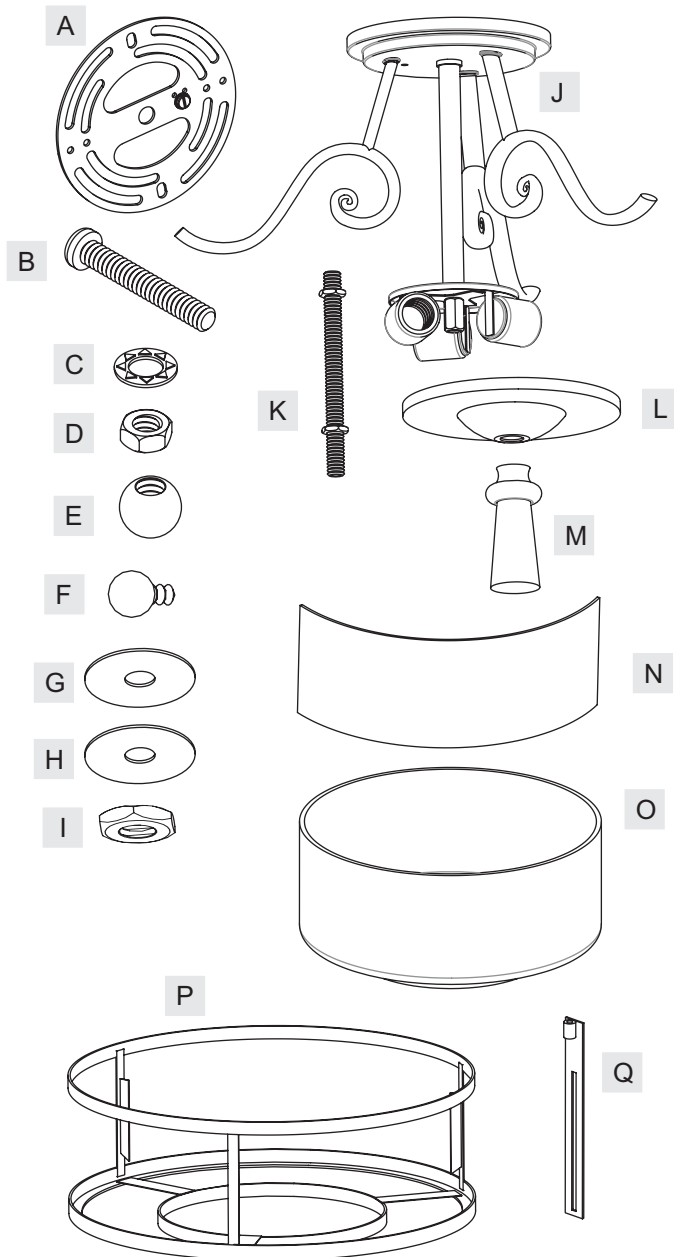
(3)60W medium base bulbs (not Supplied)

NOTE: ALL DIMENSIONS ARE ROUNDED UP TO THE NEAREST 1/2"

NO.	PART NUMBER	REPLACEMENT PART DESCRIPTION	REQ.
1	M2299FIDC	FINIAL DARK CHERRY 0.66"D	1
2	9511KIT	MTG HARDWARE DARK CHERRY 4"D	1
3	G2944PA	PANEL CLEAR WATER GLS/OUTSIDE	3
4	G2942SH	SHADE OPAL ETCHED GLS 6"H	1

Package Contents

Part	Description	Quantity
A	Crossbar	1 pc.
B	Mounting Screw	2 pcs.
C	Lock Washer	2 pcs.
D	Hex Nut	2 pcs.
E	Mounting Ball	2 pcs.
F	Lock Screw	3 pcs.
G	Flat Washer	2 pcs.
H	Rubber Washer	2 pcs.
I	1/8 IP Hex Nut	1 pc.
J	Socket Assembly	1 pc.
K	Nipple with Hex Nuts	1 pc.
L	Cap	1 pc.
M	Finial	1 pc.
N	Glass Panel	3 pcs.
O	Shade	1 pc.
P	Cage	1 pc.
Q	Fixed Stay	3 pcs.

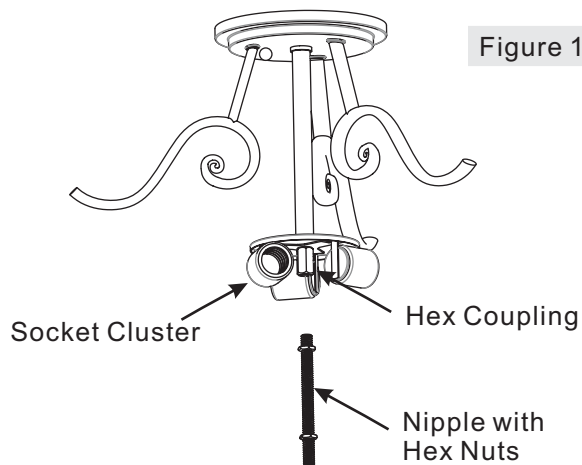


Thank you for purchasing a Quoizel product.

**Need assistance with parts or assembly? Call Quoizel customer service at 1-631-273-2700
 or visit us on-line at www. quoizel. com**

STEP 1 – Install Nipple with Hex Nuts

- A. Screw one end of the Nipple with Hex Nuts (K) into the Hex Coupling underside of the Socket Cluster. By using pliers, thread the Hex Nut against the Hex Coupling and hand tighten until snug.



STEP 2 – Install Shade

- A. Place Flat Washers (G), Shade (O) and Rubber Washers (H) over the end of the Nipple with Hex Nuts (K) as shown. Secure by threading the 1/8 IP Hex Nut (I) onto the end of the Nipple. Hand tighten until snug.

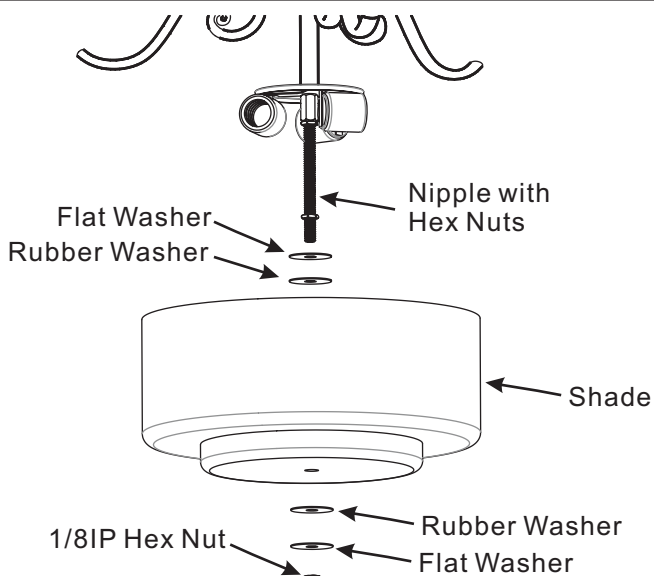


Figure 2

STEP 3 – Install Cap

- A. Place the Cap (L) over the end of the Nipple (K) and secure with the Finial (M). Hand tighten until snug.

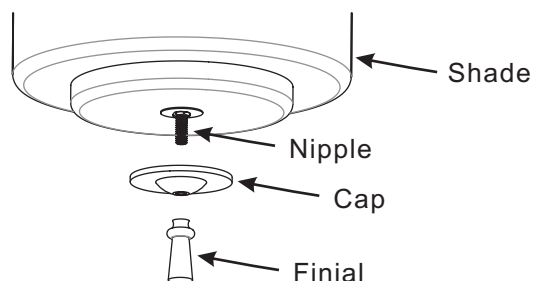
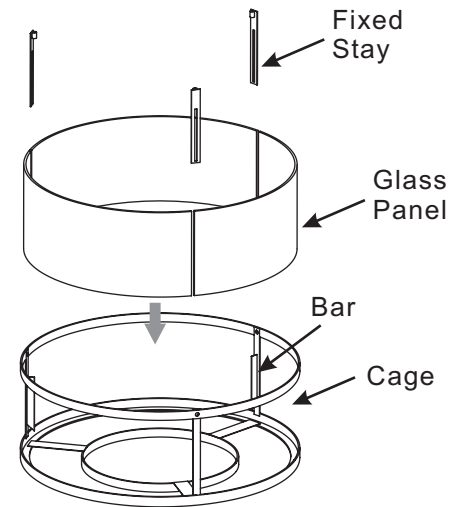
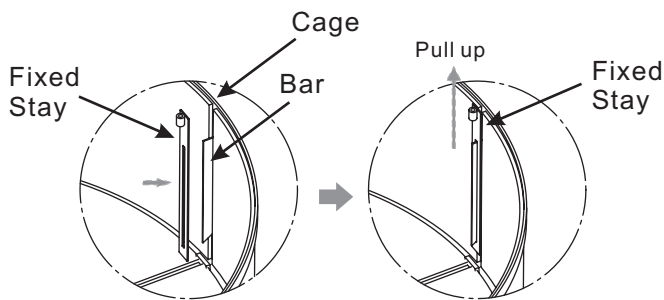


Figure 3

Thank you for purchasing a Quoizel product.
Need assistance with parts or assembly? Call Quoizel customer service at 1-631-273-2700
or visit us on-line at www. quoizel. com

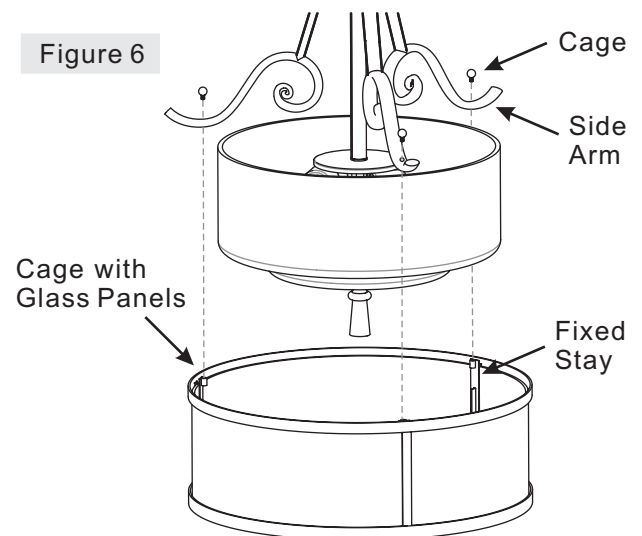
STEP 4 – Assemble Glass Panels

- A. Place the Glass Panels (N) between two Bars inside of the Cage (P).
- B. (Refer to Figure 8) Locate the Slots on the Fixed Stay (Q) over the Bar inside of the Cage (P). And then pull the Fixed Stay (Q) up until the slots is caught in the beveled end of the Bar.



STEP 5 – Attach Cage with Glass Panels to Socket Assembly

- A. Lift the Cage with Glass Panels upward. Match the top ends of Fixed Stays (Q) to the holes on the Side Arms. Secure by threading Lock Screws (F) into the top ends of Fixed Stays (Q). Hand tighten until snug.



Thank you for purchasing a Quoizel product.

Need assistance with parts or assembly? Call Quoizel customer service at 1-631-273-2700
or visit us on-line at www.quoizel.com

Assembly Instruction Sheet #IS-ADS1715DC For Style ADS1715DC

STEP 6 – Attach Mounting Screws, Lock Washers and Hex Nuts to Crossbar

- A. Line up a set of holes on the Crossbar (A) and Holes on the Ceiling Canopy of the Socket Assembly (J).
- B. Thread Mounting Screws (B) into the holes on the Crossbar (A), pass Lock Washers (C) and thread Hex Nut (D) onto the Mounting Screws (B). Hand tighten until snug.

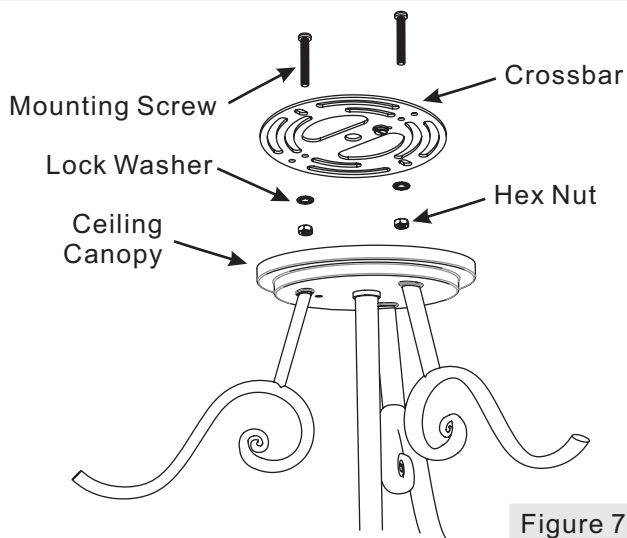


Figure 7

STEP 7 – Attach Crossbar to Outlet Box

- A. Attach the Crossbar (A) to Outlet Box and secure by threading Outlet Box Screws (not supplied) into the Mounting Holes on the Outlet Box. Tighten until snug.

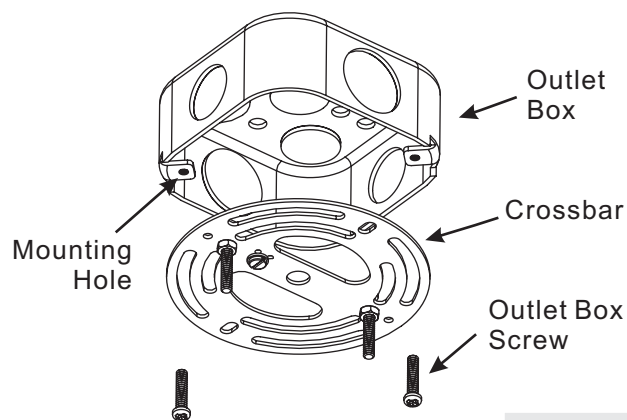
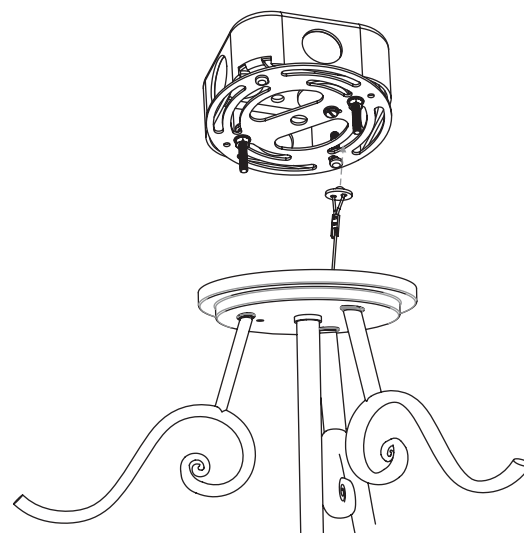


Figure 8

STEP 8 – Attach Lanyard

- A. The purpose of the lanyard is to provide the installer a means to support the fixture from the junction box while connecting the electrical wires. This enables the fixture to hang from the junction box and your hands are free to make the wire connections.
- B. Turn the Button Stop so it may be inserted into the crossbar slot. Make sure the Button Stop is completely inside the crossbar. Slowly release the fixture to make sure it is supported by the Button Stop. Proceed to the wiring steps. Once you are complete with the wiring there is nothing to do with Lanyard. The Lanyard will push into the junction box when the fixture is placed for final mounting.



Thank you for purchasing a Quoizel product.

Need assistance with parts or assembly? Call Quoizel customer service at 1-631-273-2700
or visit us on-line at www. quozel. com

STEP 9 – Make Wire Connections

- A. Use standard wire connectors to make all wire connections. (Connectors are not included with fixture.) Strip and prepare wire ends according to instructions supplied with connectors.
- B. Connect White Supply Wire from the Outlet Box to White Wire from fixture.
- C. Connect Black (or Red) Supply Wire from the Outlet Box to Black Wire from fixture.
- D. Connect Ground Wire from the Outlet Box to Ground Wire from fixture.
- E. Twist connectors until wires are tightly joined together.
- F. Wrap each connection with approved electrical tape and carefully stuff all the connected wires into the Outlet Box.

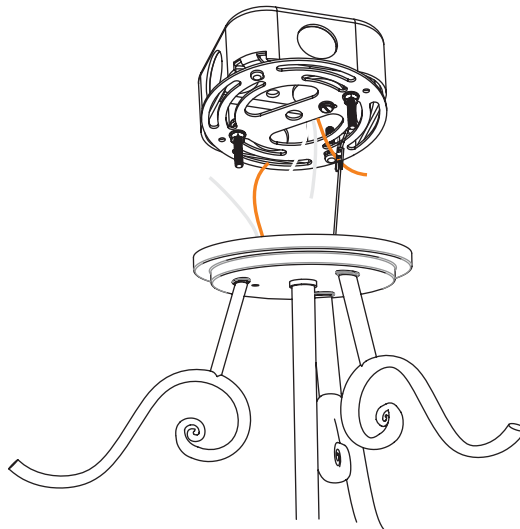


Figure 11

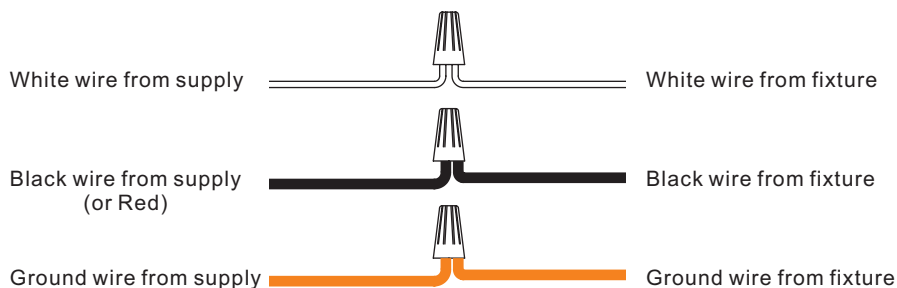


Figure 10

STEP 10 – Attach Ceiling Canopy to Mounting Screw

- A. Place the Ceiling Canopy on the Socket Assembly (J) over the Mounting Screws (B) and secure with Mounting Balls (E). Hand tighten until snug.

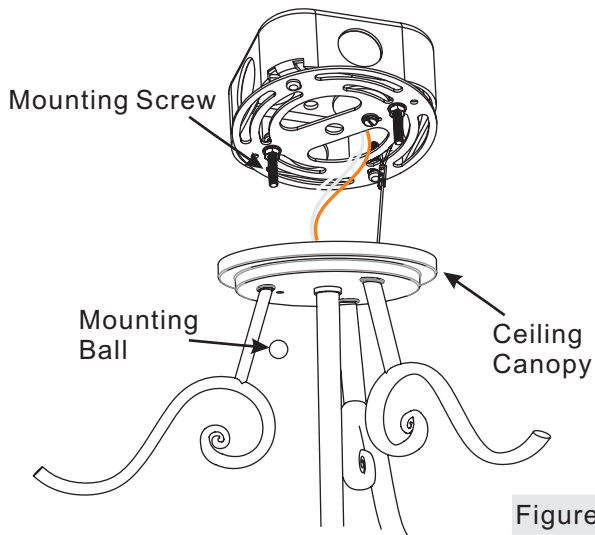


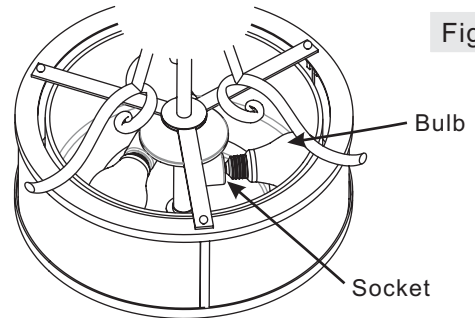
Figure 12

Thank you for purchasing a Quoizel product.
Need assistance with parts or assembly? Call Quoizel customer service at 1-631-273-2700
or visit us on-line at www.quoizel.com

STEP 11 – Install Bulb

- A. This fixture uses standard bulbs with medium screw bases. Maximum 60 watts.
- B. Insert bulb and screw snugly into place.

Your fixture semi-flush lamp is now assembled and ready to use. Enjoy!



Thank you for purchasing a Quoizel product.
Need assistance with parts or assembly? Call Quoizel customer service at 1-631-273-2700
or visit us on-line at www. quoizel. com