

# Assembly Instruction Sheet #IS-TRY2824BA

## For Style TRY2824BA

Quoizel, Inc.  
 6 Corporate Parkway  
 Goose Creek, SC  
 29445

Customer Service  
 Phone 631.273.2700  
 Fax 631.231.7102  
 www.quoizel.com

**Tools Required:** Flathead screwdriver, Phillips screwdriver, pliers, wire cutters, wire strippers, electrical tape, safety glasses.

**Bulb Recommended:** (6) Candelabra Base 60W Maximum

**Estimated Assembly Time:** 30-45 minutes

**Preparation:** Identify and inspect all parts before beginning installation. Check package content list and diagrams below to be sure all parts are present. If any parts are missing or damaged, do not attempt to assemble, install, or operate the fixture. Contact customer service for replacement parts.



### Warnings and Cautions

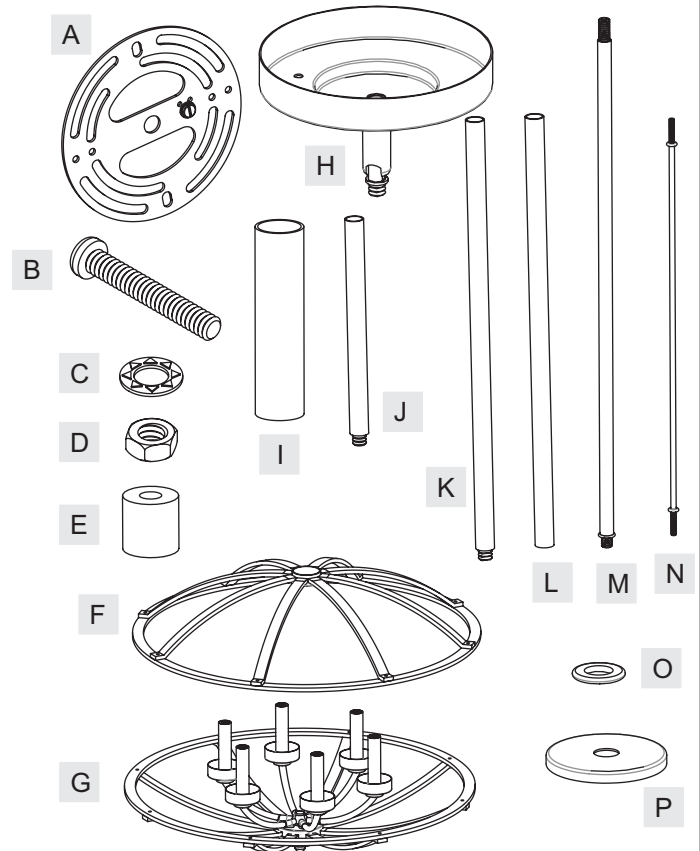
Turn off electricity at circuit breaker or main fuse box before installation. Consult a licensed electrician if in doubt.

These instructions are provided for your safety. It is very important you read them completely before installing the fixture. We strongly recommend that a licensed, professional electrician perform the installation.

Disconnect fixture from power source before replacing bulbs. Make sure bulbs are given sufficient time to cool before removal. Do not subject glass parts to any shock while in operation or shattering may result.

### Package Contents

Part	Description	Quantity
A	Crossbar	1 pc.
B	Mounting Screw	2 pcs.
C	Lock Washer	2 pcs.
D	Hex Nut	2 pcs.
E	Mounting Ball	18 pcs.
F	Bracket	1 pc.
G	Socket Assembly	1 pc.
H	Ceiling Canopy	1 pc.
I	Shade	6 pcs.
J	6" Rod	2 pcs.
K	12" Rod with Nipple	1 pc.
L	12" Rod	1 pc.
M	Center Stem	1 pc.
N	Side Rod	8 pcs.
O	Lock Ring	1 pc.
P	Cover	1 pc.

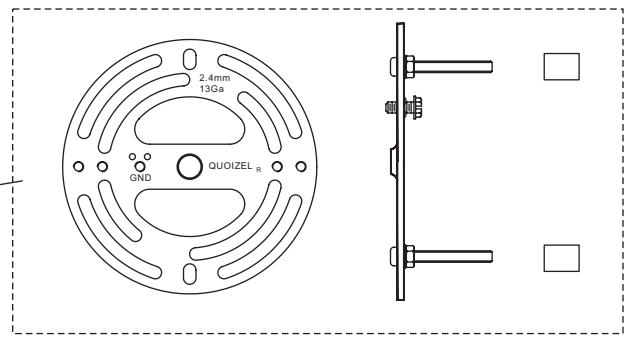
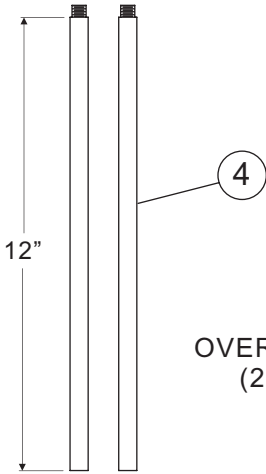
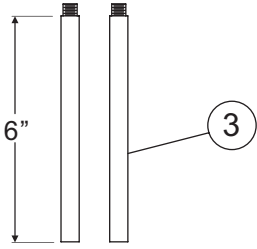


Thank you for purchasing a Quoizel product.

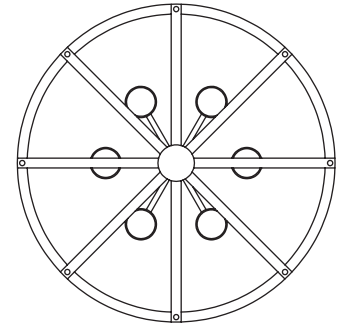
Need assistance with parts or assembly? Call Quoizel customer service at 1-631-273-2700 or visit us on-line at [www.quoizel.com](http://www.quoizel.com)

TRY2824BA

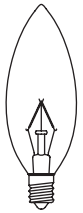
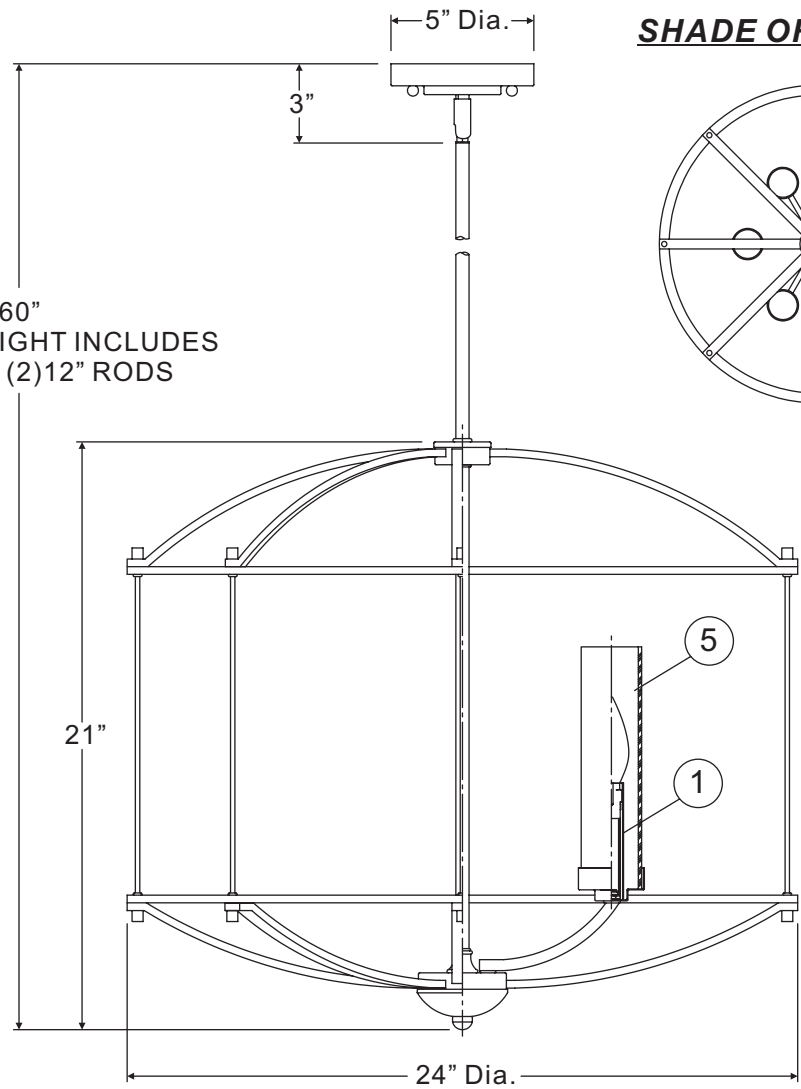
FINISH: ROYAL EBONY



**SHADE ORIENTATION**



60"  
OVERALL HEIGHT INCLUDES  
(2) 6" AND (2) 12" RODS



(6) 60W Candelabra base bulbs (not Supplied)

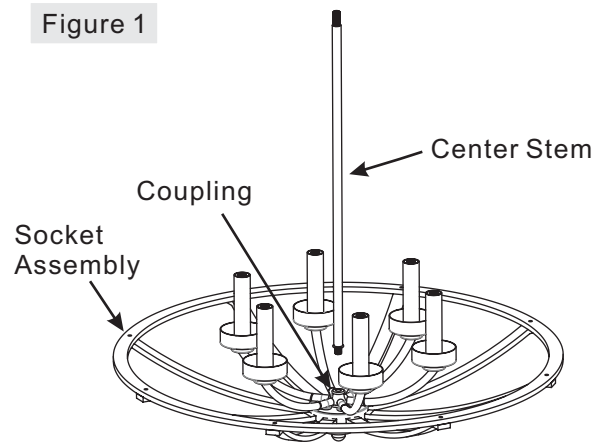
NOTE: ALL DIMENSIONS ARE ROUNDED UP TO THE NEAREST 1/2"

NO.	PART NUMBER	REPLACEMENT PART DESCRIPTION	REQ.
1	M2310CCBA	CANDLE COVER ROYAL EBONY 4"H	6
2	9520KIT	MTG HDW/CNPY ROYAL EBONY 5"D	1
3	9006EXBA	ROD EXT ROYAL EBONY 6"L X .5"D	2
4	9012EXBA	ROD EXT ROYL EBNY 12"L X .5"D	2
5	G3239SH	SHADE CLEAR GLS 2"D	6

**STEP 1 – Assemble Center Stem to Socket Assembly**

- A. Thread the beaded end of the Center Stem (M) into the Coupling in the center of the Socket Assembly (G). Hand tighten until snug.

Figure 1



**STEP 2 – Assemble Side Rods, Socket Assembly and Bracket**

- A. Place one end of the Side Rod (N) through the hole on the edge of the Socket Assembly (G). Thread Mounting Balls (E) onto the Side Rods (N) and hand tighten until snug as shown.
- B. Place the center hole of the Bracket (F) over the top end of the Center Stem (M). Pass holes on the edge of the Bracket (F) over the top ends of Side Rods (N). Secure by threading Mounting Balls (E) onto the Side Rods (N). Hand tighten until snug.
- C. Pass the Cover (P) over the top end of the Center Stem (M) and secure with the Lock Ring (O). Hand tighten until snug.

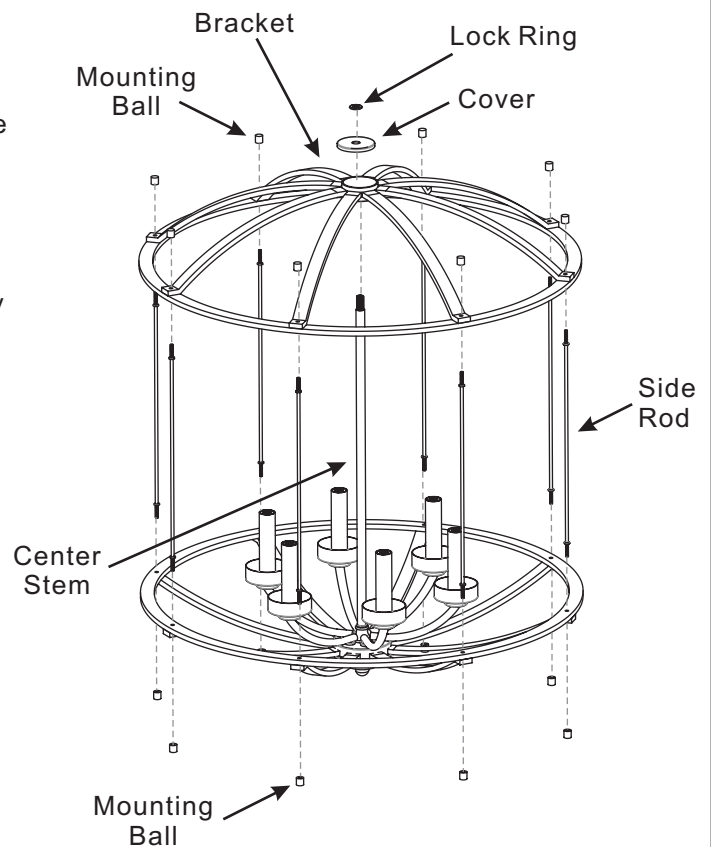


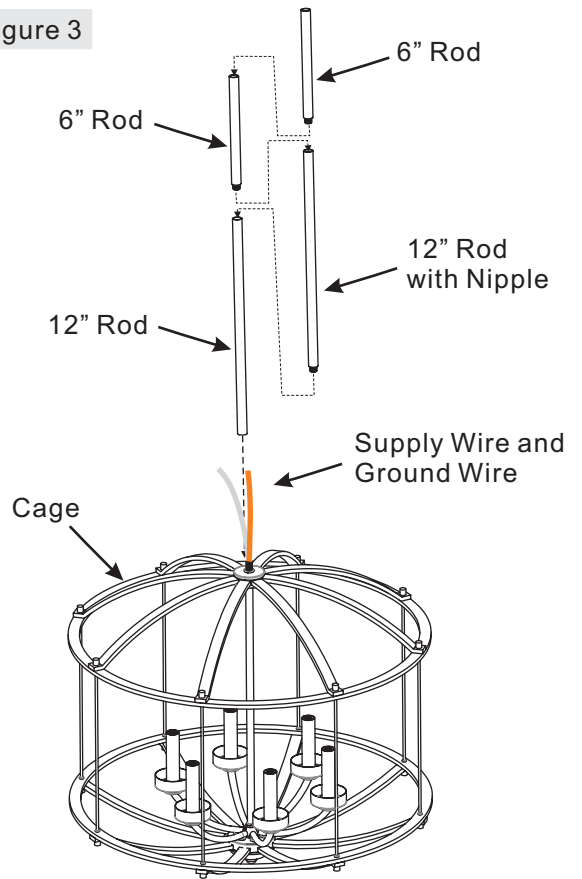
Figure 2

**Thank you for purchasing a Quizel product.**  
**Need assistance with parts or assembly? Call Quizel customer service at 1-631-273-2700**  
**or visit us on-line at [www.quizel.com](http://www.quizel.com)**

**STEP 3 – Assemble Rods**

- A. Determine the Rods (J/K/L) to be assembled to the Cage according to your hanging height.
- B. Pass Supply Wires and Ground Wire through the chosen Rods (J/K/L) and then thread the chosen Rods (J/K/L) and the Cage together. Hand tighten until snug.

Figure 3



**STEP 4 – Assemble Ceiling Canopy to Upper Rod**

- A. Pass Supply Wires and Ground Wire through the Ceiling Canopy (H) and then thread the Ceiling Canopy (H) and the Upper Rod together. Hand tighten until snug.

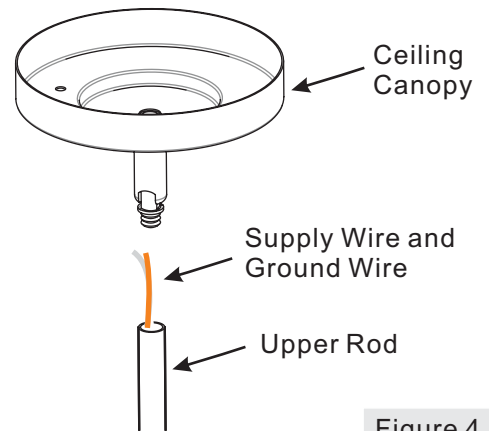
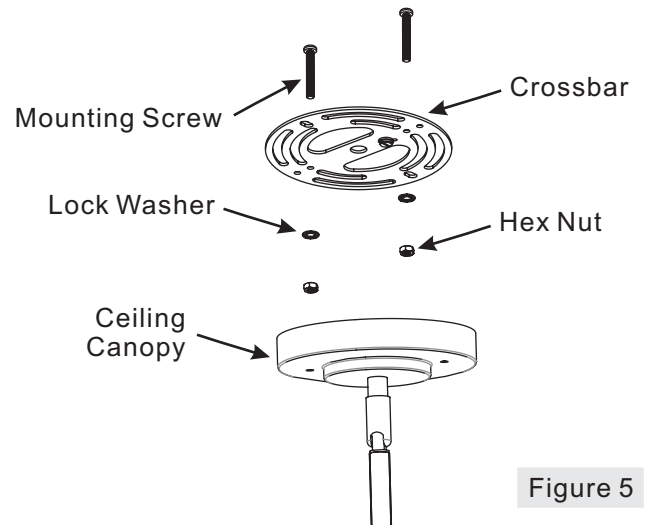


Figure 4

**Thank you for purchasing a Quoizel product.  
 Need assistance with parts or assembly? Call Quoizel customer service at 1-631-273-2700  
 or visit us on-line at www.quoizel.com**

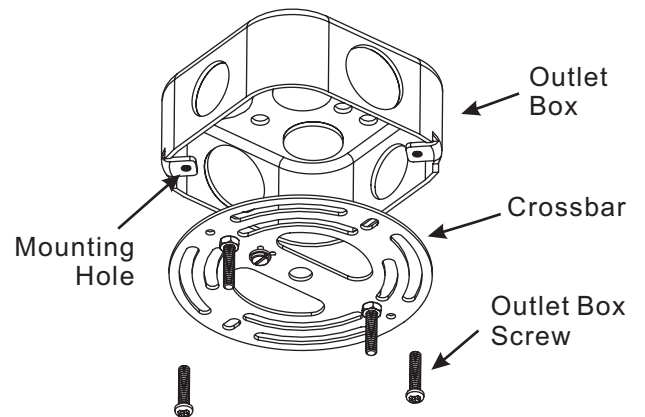
### STEP 5 – Attach Mounting Screws, Lock Washers and Hex Nuts to Crossbar

- A. Line up a set of holes on the Crossbar (A) and Holes on the Ceiling Canopy (H).
- B. Thread Mounting Screws (B) into the holes on the Crossbar (A), pass Lock Washers (C) and thread Hex Nut (D) onto the Mounting Screws (B). Hand tighten until snug.



### STEP 6 – Attach Crossbar to Outlet Box

- A. Attach the Crossbar (A) to Outlet Box and secure by threading Outlet Box Screws (not supplied) into the Mounting Holes on the Outlet Box. Tighten until snug.



Thank you for purchasing a Quoizel product.

Need assistance with parts or assembly? Call Quoizel customer service at 1-631-273-2700  
or visit us on-line at [www.quoizel.com](http://www.quoizel.com)

### STEP 7 – Make Wire Connections

- A. Use standard wire connectors to make all wire connections. (Connectors are not included with fixture.) Strip and prepare wire ends according to instructions supplied with connectors.
- B. Connect White Supply Wire from the Outlet Box to White Wire from fixture.
- C. Connect Black (or Red) Supply Wire from the Outlet Box to Black Wire from fixture.
- D. Connect Ground Wire from the Outlet Box to Ground Wire from fixture.
- E. Twist connectors until wires are tightly joined together.
- F. Wrap each connection with approved electrical tape and carefully stuff all the connected wires into the Outlet Box.

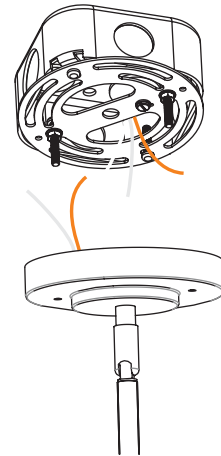


Figure 7

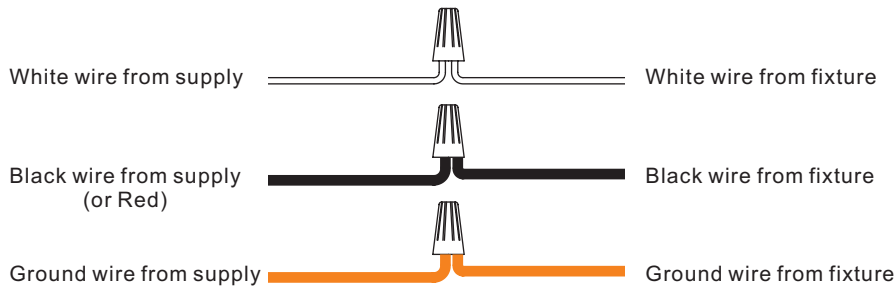


Figure 8

### STEP 8 – Attach Ceiling Canopy to Mounting Screw

- A. Place the Ceiling Canopy (H) over the Mounting Screws (B) and secure with Mounting Balls (E). Hand tighten until snug.

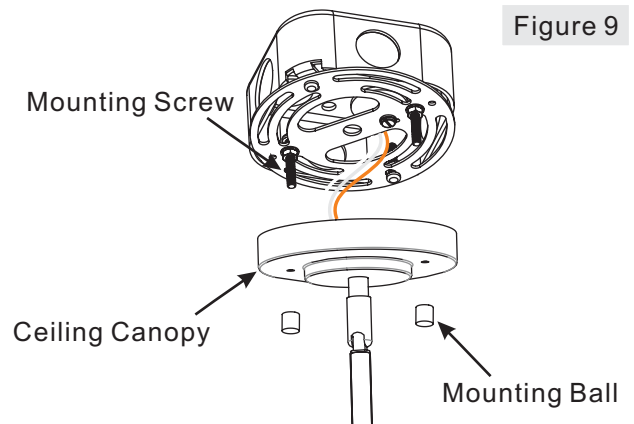


Figure 9

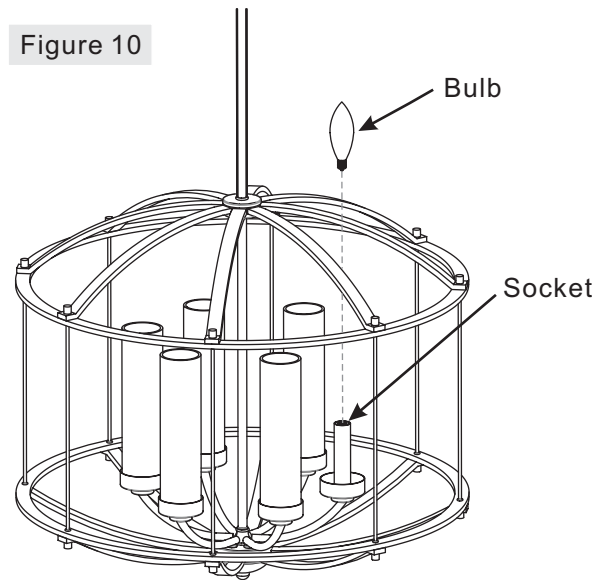
Thank you for purchasing a Quoizel product.

Need assistance with parts or assembly? Call Quoizel customer service at 1-631-273-2700  
 or visit us on-line at [www.quoizel.com](http://www.quoizel.com)

### STEP 9 – Install Bulb

- A. This fixture uses candelabra bulbs with candelabra screw bases. Maximum 60 watts.
- B. Insert bulb and screw snugly into place.

Figure 10

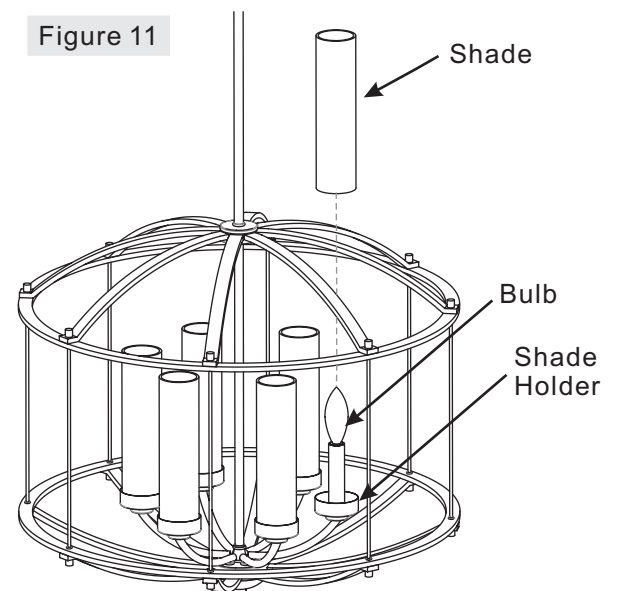


### STEP 10 – Install Bulb

- A. Place the Shade (I) over the Bulb, seat into the Shade Holder as shown.

Your fixture pendant lamp is now assembled and ready to use. Enjoy!

Figure 11



Thank you for purchasing a Quozel product.

Need assistance with parts or assembly? Call Quozel customer service at 1-631-273-2700  
or visit us on-line at [www. quozel. com](http://www. quozel. com)