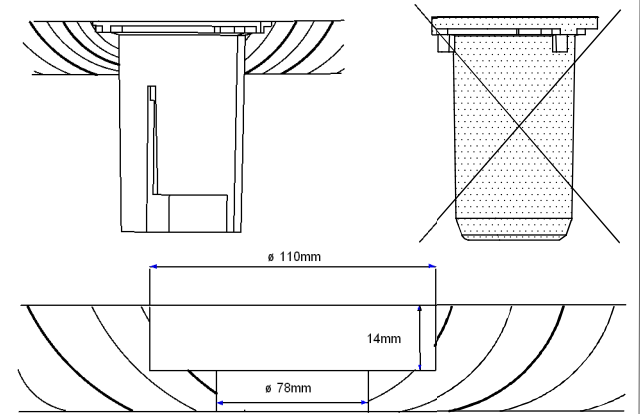
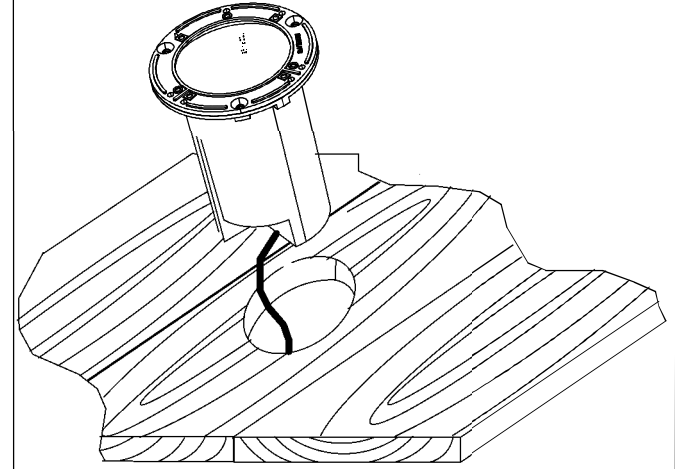
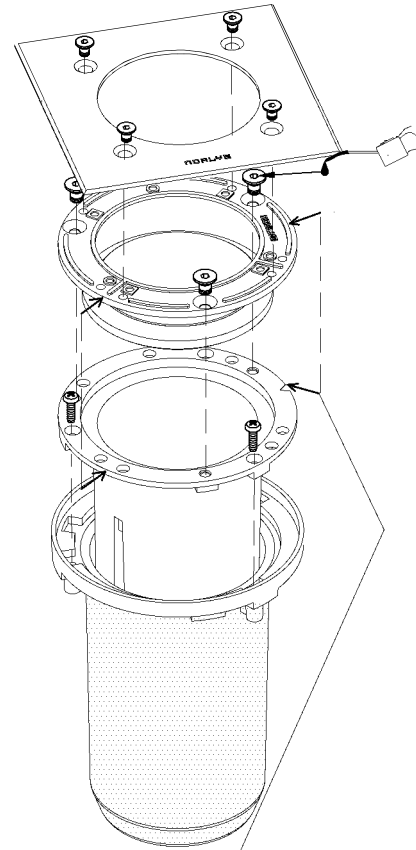
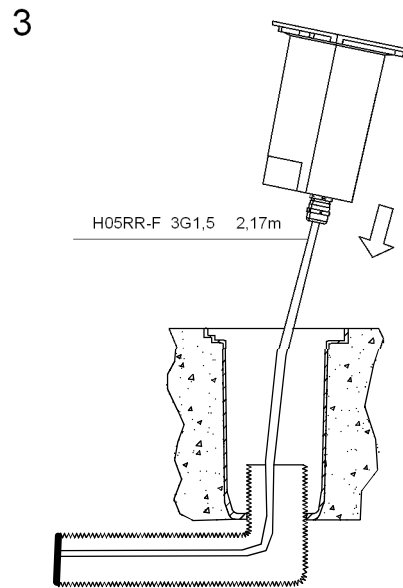
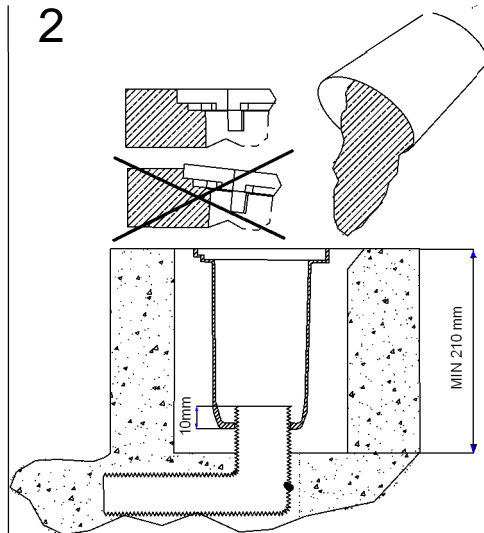
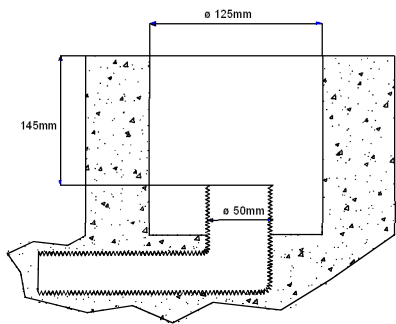
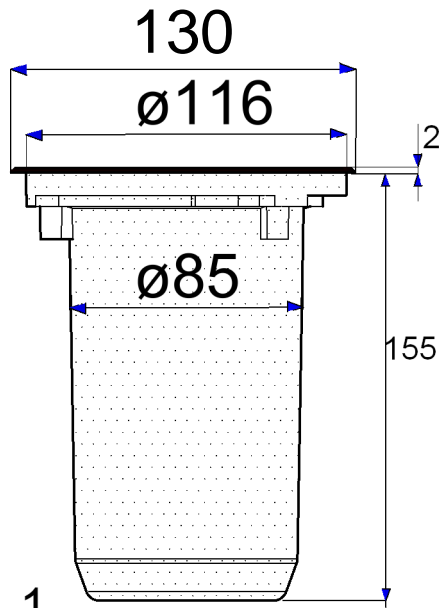


CLASS I

ART. 1551-1553 GU 10, LED 6 W



INSTR. N°1551-1553
I/2013



MAGNETIC

