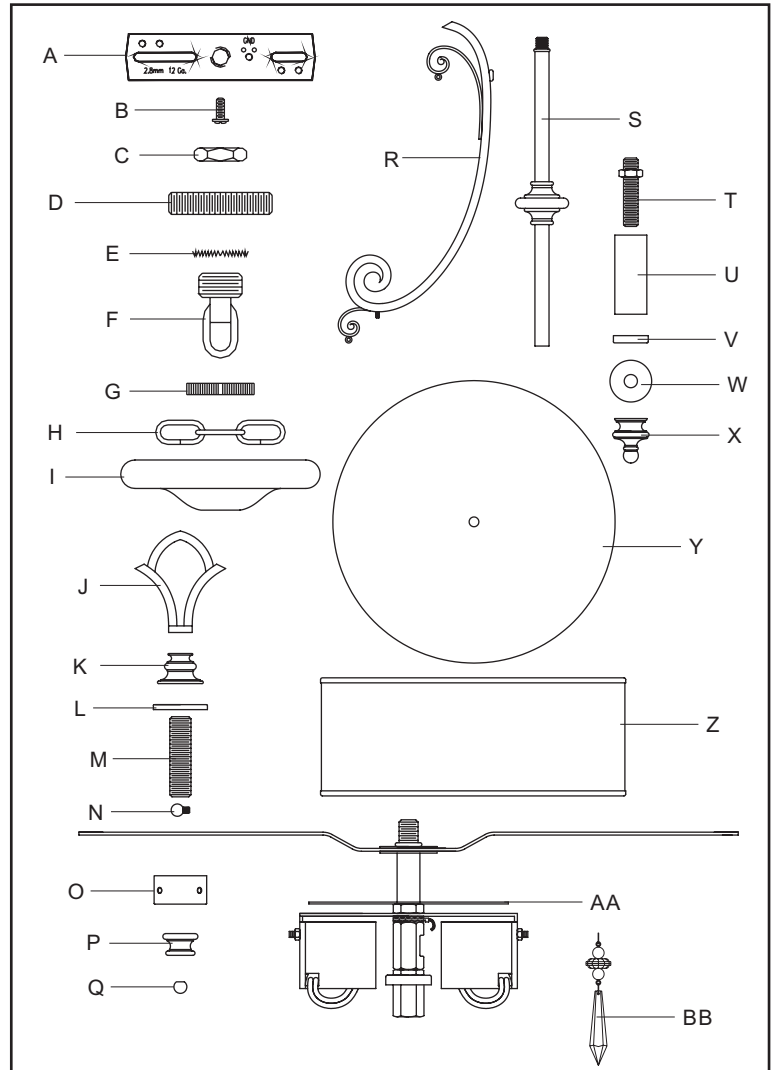


PACKAGE CONTENTS

ISSUED 02-2010

Part	Description	Quantity
A	Crossbar	1pc
B	Green Ground Screw	1pc
C	Hex Nut	3pcs
D	Nipple	1pc
E	Lock Washer	2pcs
F	Canopy Chain Loop	1pc
G	Canopy Lock Ring	1pc
H	Fixture Chain	1pc
I	Ceiling Canopy	1pc
J	Fixture Loop	1pc
K	Support Part	1pc
L	Fixture Cover	1pc
M	Short Nipple	1pc
N	Lock Screw	3pcs
O	Fixture Body	1pc
P	Coupling	1pc
Q	Lock Ball	3pcs
R	Side Arm	3pcs
S	Center Column	1pc
T	Nipple with Hex Nut	1pc
U	Spacer Tube	1pc
V	Check Ring	1pc
W	Rubber Washer	1pc
X	Finial	1pc
Y	Diffuser	1pc
Z	Shade	1pc
AA	Socket Assembly	1pc
BB	78mm Crystal Pendant	6pcs



! WARNINGS AND CAUTIONS

WARNING:

- Before beginning the installation, turn off electricity at the circuit breaker box or the main fuse box by switching off the circuit breaker or removing the fuse.

CAUTIONS:

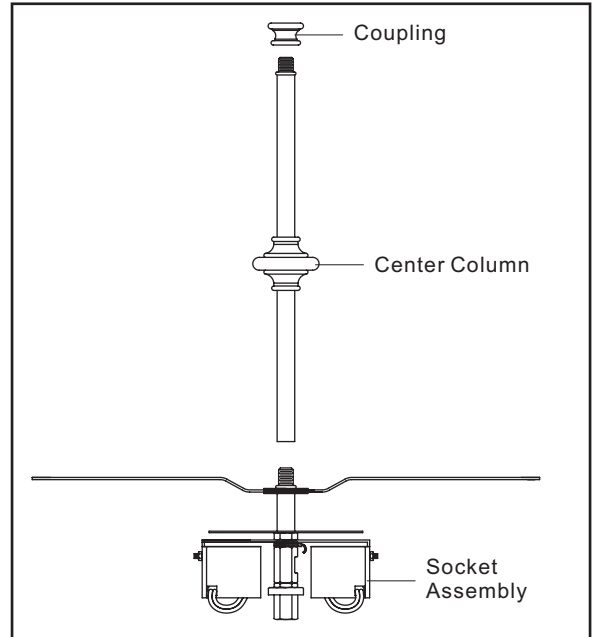
- These instructions are provided for your safety. It is very important that they are read completely before the installation of your fixture. We strongly recommend that a professional electrician install the fixture.
- Disconnect fixture from the power source before replacing the bulb(s), making sure the bulb(s) had sufficient time to cool down. DO NOT subject the lamp to any shock while lit as shattering of lamp may result.

PREPARATION

- Before beginning installation of product, make sure all parts are present. Compare parts with package contents list and diagram above. If any part is missing or damaged, do not attempt to assemble, install or operate the product. Contact customer service for replacement part.
- Estimated Assembly Time: 30 - 45 minutes
- Tools Required for Assembly (not included): Flathead screwdriver, Phillips screwdriver, Pliers, Electrical tape, Wire cutters, Safety glasses & (2) 60W A19 medium base bulbs.
- Helpful Tools (not included): Wire strippers.

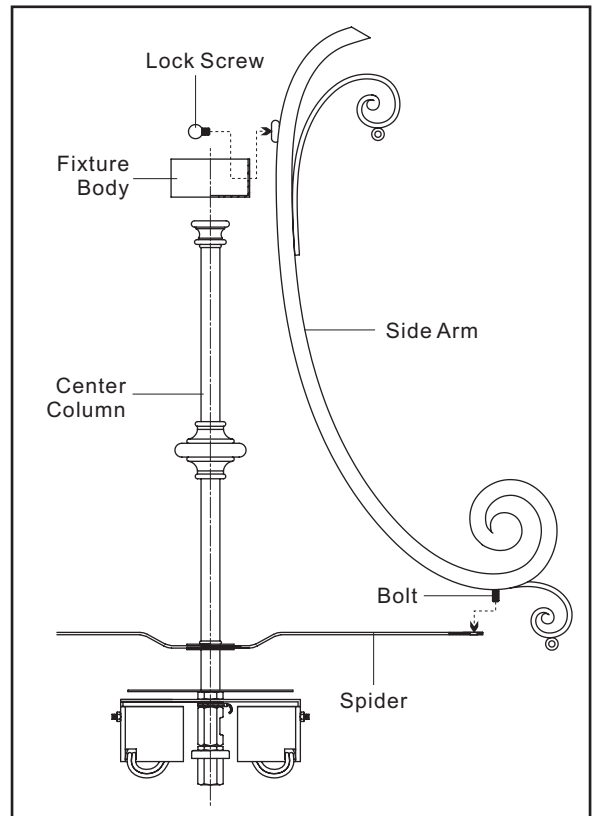
STEP 1:

- a. Thread the Center Column onto the nipple on the top center of the Socket Assembly. Hand-tighten until snug.
- b. Thread the Coupling onto the nipple on the top end of the Center Column and hand until snug.



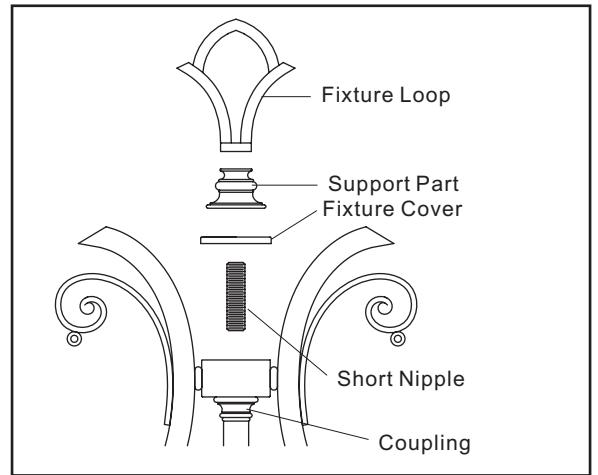
STEP 2:

- a. Pass the Bolt on the bottom of the Side Arm through the hole on the Spider. Attach the Fixture Body onto the top end of the Center Column. Line up holes on the Fixture Body and mounting holes on the side of the Side Arms. Secure them by threading Lock Screws into the mounting holes on the Side Arms. Hand-tighten until snug.



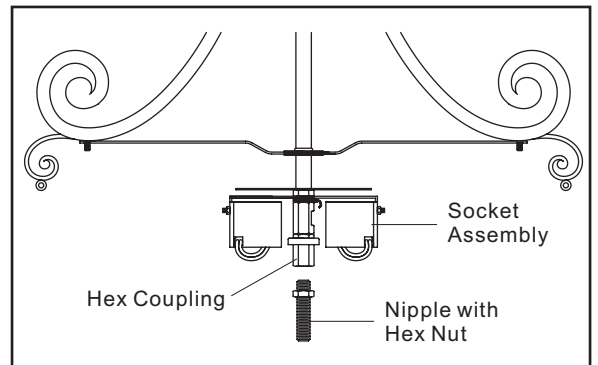
STEP 3:

- a. Screw the Short Nipple into the Coupling and tighten until snug.
- b. Pass the Fixture Cover and the Support Part over the top end of the Short Nipple. Secure by threading the Fixture Loop onto the nipple. Hand-tighten until snug.



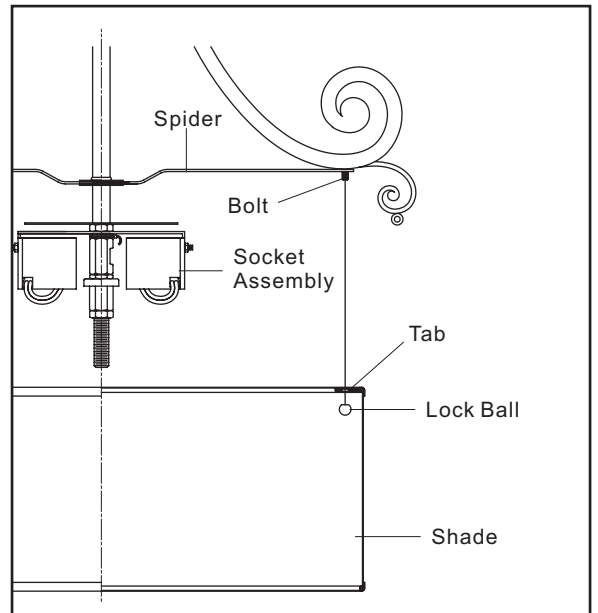
STEP 4:

- a. Screw the Nipple with Hex Nut into the Hex Coupling underside of the Socket Assembly. Using pliers, thread the Hex Nut against the Hex Coupling and tighten until snug.



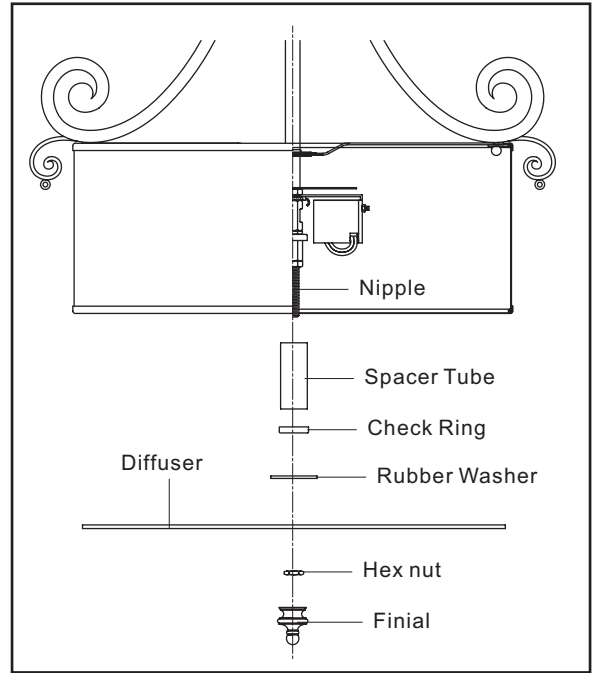
STEP 5:

- a. Place the Shade over the Socket Assembly. Pass the Tabs on the top edge of the Shade over the Bolts extruding from the Spider. Thread the Lock Balls onto the Bolts and hand-tighten until snug to secure the Shade.



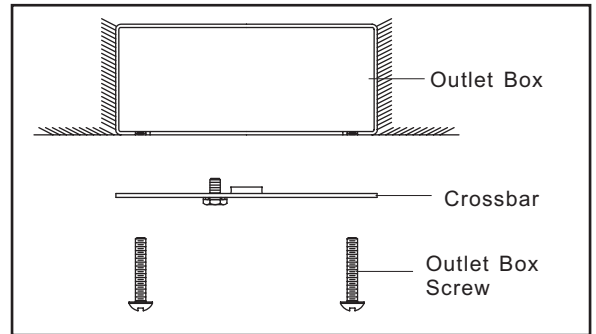
STEP 6:

- a. Pass the Spacer Tube, the Check Ring, the Rubber Washer and the Diffuser over the end of the Nipple. Secure them by threading the Hex Nut onto the Nipple. Tighten until snug.
- b. Thread the Finial onto the Nipple and hand-tighten until snug.



STEP 7:

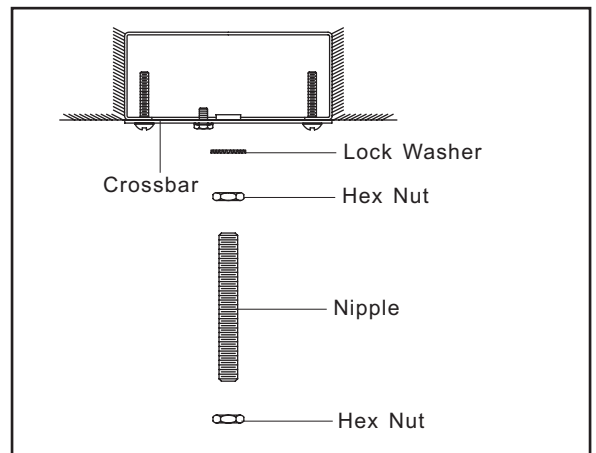
- a. Secure the Crossbar onto the Outlet Box with Outlet Box Screws. Tighten until snug.



STEP 8:

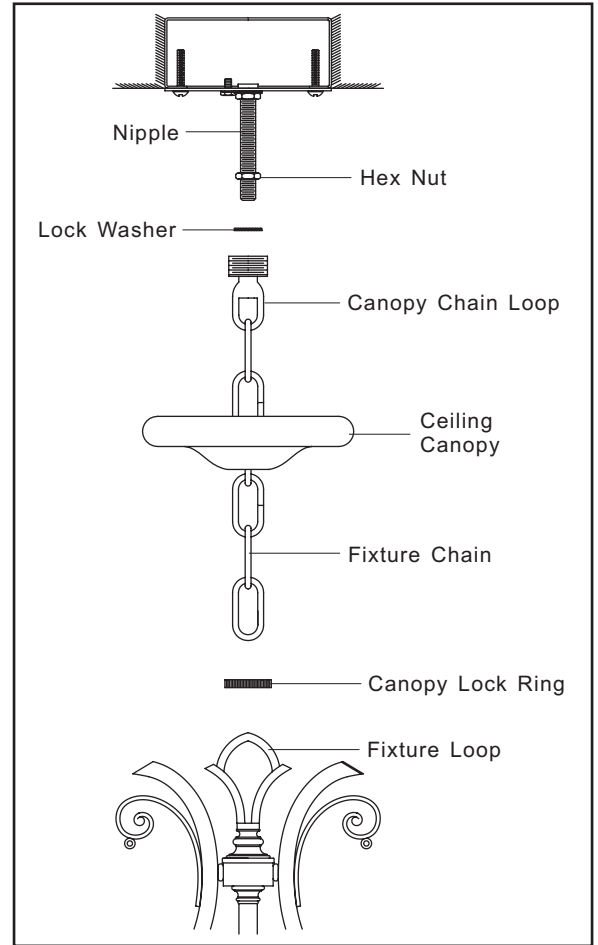
* Pliers is required on this step.

- a. Thread one Hex Nut onto top end of the Nipple.
- b. Place one Lock Washer over the top end of the Nipple and then thread the Nipple into the center lock hole of the Crossbar.
- c. Using pliers, thread the Hex Nut against the crossbar and hand tighten until snug.
- d. Thread another Hex Nut onto the bottom end of the Nipple.



STEP 9:

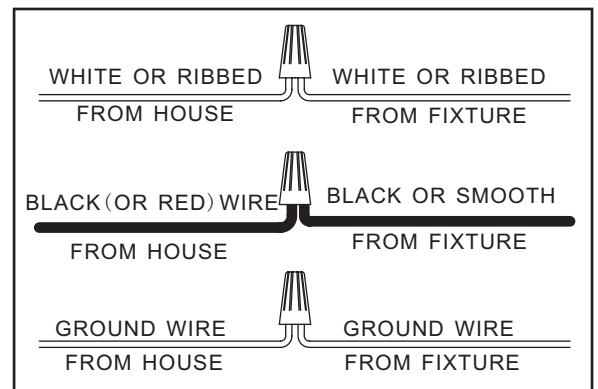
- a. Adjust the Fixture Chain to your desired length by removing the links if needed.
 - * Please note that depends on chain material thickness, you might be required to use chain pliers to spread links open.
- b. Pull the supply wires through the Fixture Chain alternating links. And then pull the wires through the following components in turn: Canopy Lock Ring, Ceiling Canopy, Canopy Chain Loop, Lock Washer, and Nipple.
- c. Place Lock Washer over the end of the Nipple and thread the Canopy Chain Loop onto the end of the Nipple.
- d. Using plier, thread the Hex Nut against the Canopy Chain Loop and tighten until snug.
- e. Attach one end of the Fixture Chain onto the Fixture Loop and attach the another end of the chain onto the Canopy Chain Loop.
- f. Refer to Step 10 – Wire Connections to connect wires.
- g. Push the Ceiling Canopy upward over the Outlet Box.
- h. Thread the Canopy Lock Ring onto the Canopy Chain Loop and tighten until snug to secure the Ceiling Canopy.



STEP 10:

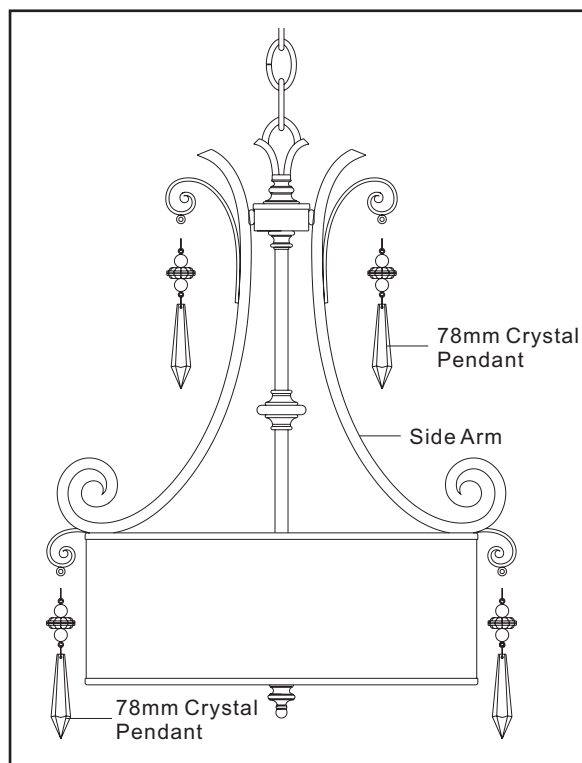
*Use Wire Connectors (not supplied) to connect the wires.

- a. Connect the House Ground Wire to the Fixture Ground Wire.
- b. Connect the House White (or Ribbed) Wire to the Fixture Supply Wire (White or Ribbed Side).
- c. Connect the House Black(or Red) Wire to the Fixture Supply Wire (Black or Smooth Side).
- d. Wrap each connection with approved electrical tape and carefully stuff all of the connected wires into the Outlet Box.



STEP 11:

- a. Attach 78mm Crystal Pendants onto the hangers on the Side Arms.

**STEP 12:**

- a. Install the correct bulbs referring to fixture markings and/or labels for maximum wattage.

Your installation is completed now. Restore electricity. Retain this sheet for future reference.